

# March 2019 Technical Standards Update



Please ensure that this information is passed on to all field employees and contractors within your organisation.

The following Technical Standards updates are relevant to all technical, field employees and contractors undertaking design, construction and maintenance activities on the CitiPower and Powercor.

Technical Standards are available on our [website](#).

*All new design and construction proposals commenced after the **08 May 2019** are required to comply with these updates.*

If you have further questions, please contact the relevant team member associated with the published documents.

<u>Standard Category</u>	<u>Technical Standard</u>	<u>Description</u>	<u>Overview</u>	<u>Impacted Key Stakeholder/s</u>
<a href="#">E - Overhead</a>	<a href="#">EP107</a>	Distribution Construction Standard - In Line Voltage Regulator Assembly - Three Phase, Three Unit Ground Mounted - Concrete Pole	Standards updated to replace box culvert with steel support frame, update SAP material estimates and provide additional information in drawings. <b>Contact Terry Spitalieri - (03) 9683 4197</b>	<b>DESIGN CONSTRUCTION MAINTENANCE</b>
	<a href="#">EP901-984</a>	Distribution Material Standard - Voltage Regulator		
<a href="#">G - Underground</a>	<a href="#">GS021</a>	Distribution Construction Standard - Underground LV Mains & Service - Pits & Pillars	Standards updated to allow the use of 4 port connectors in industrial areas. <b>Contact: Dean Bongetti - (03) 9683 2133</b>	<b>DESIGN CONSTRUCTION MAINTENANCE</b>
	<a href="#">GS201</a>	Distribution Construction Standard - Pit Assembly - Service		
<a href="#">Permitted Materials</a>	<a href="#">PM006</a>	Permitted Material List - Conduit and Covers	Permitted material list updated to include the latest approved materials & supplier information for option 2 contractors. <b>Contact: Stephen McGuire - (03) 9297 6414</b>	<b>OPTION 2 DESIGN OPTION 2 - CONSTRUCTION PROJECT MANAGEMENT</b>
				<b>LEGEND HIGH IMPACT MEDIUM IMPACT LOW IMPACT</b>

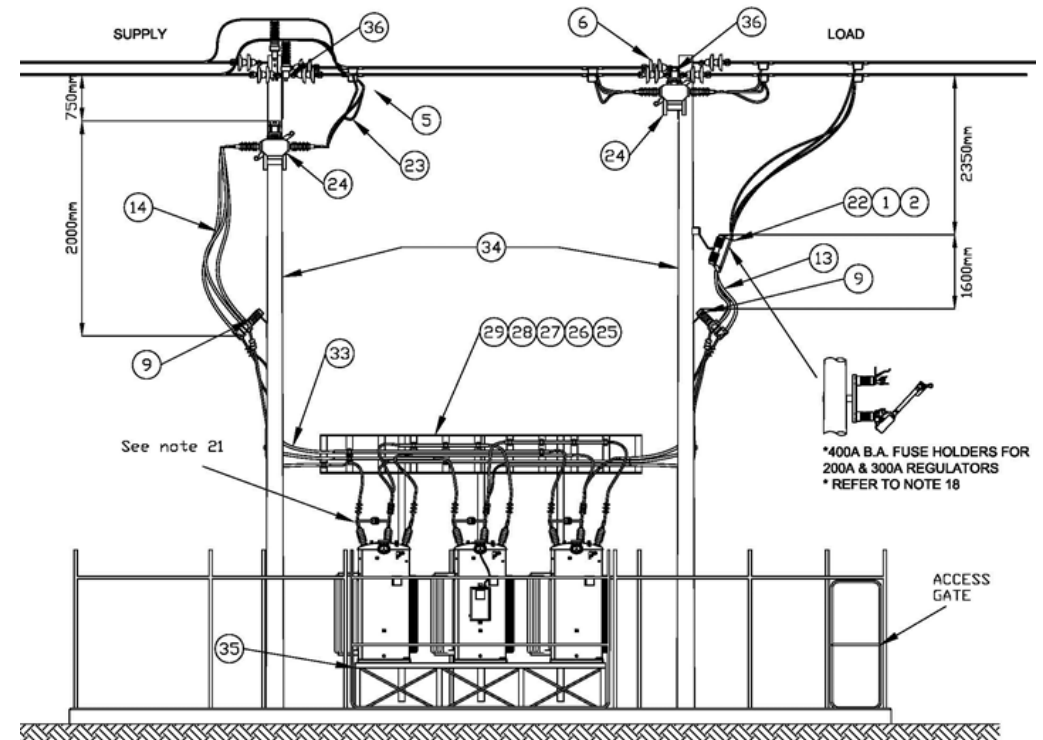
# EP107 – In line Voltage Regulator Assembly

## Key changes\*

Release date: 8<sup>th</sup> April 2019

\*Please refer to official standard for details

- Technical Standard EP107 has been updated based on design and field resources feedback
- The standard has been updated to include:
  - Additional dimension details
  - SAP material estimate updates
  - Concrete box culverts replaced with steel frame stand for 100A, 200A & 300A regulators
  - Additional earthing connection details



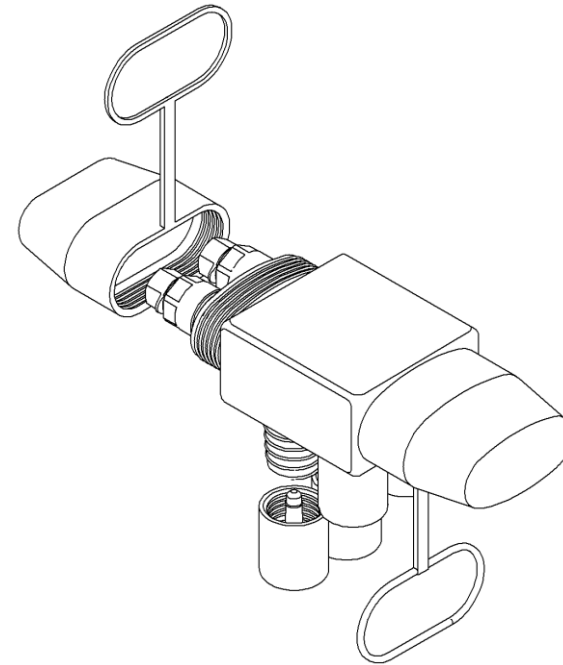
# GS021 & GS201– Underground LV Mains & Service – Pits & Pillars

## Key changes\*

Release date: 8<sup>th</sup> April 2019

*\*Please refer to official standard for details*

- Technical Standard GS021 has been updated to require the use of 4 by 4 port pit connectors in service pits within industrial areas.
- This change will eliminate the need to interrupt the supply of an existing 3Ø customer when adding a new 3Ø customer.
- The interruption currently occurs while the connectors are changed from 3 by 2 port pit connectors to 4 by 4 port pit connectors. Using 4 by 4 port pit connectors at the initial installation stage will resolve this issue.



4 port connector